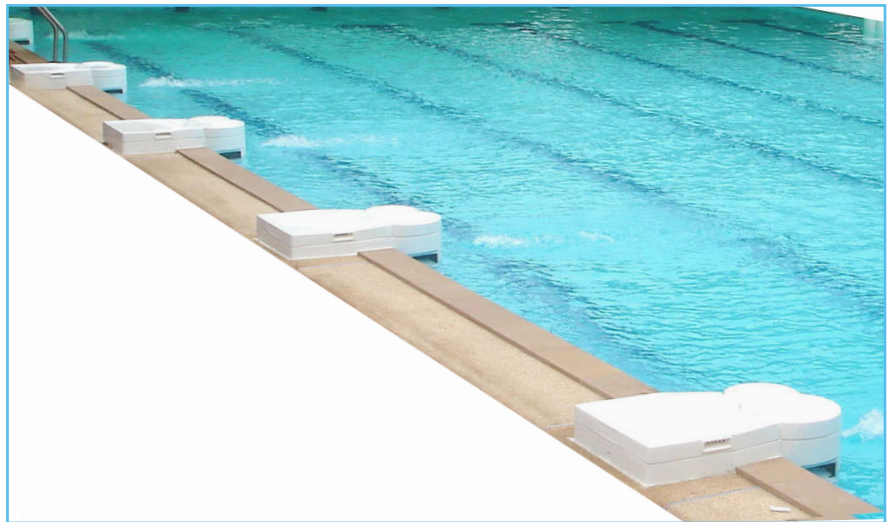


PF0025 Portable Filtration



This specially engineered, self contained filtration unit is installed on the wall of your pool requiring on piping and using the built in skimmer and outlet jets.

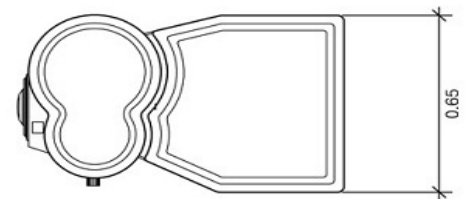
The built in filter element and light make this an all round easy unit to install for any type of pool.

The specially designed for UV and chemical protection for long lasting durability.

Specifications

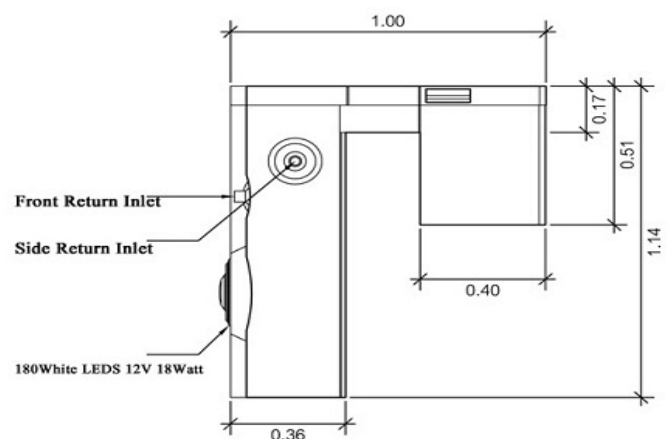
Model	PF0025
Power (Hp)	1.5 (1.1kw)
Flow Rate (m³/hr)	25
Precision of filtration	5 Micron
Pool Volume (m³)	80
Net Weight (Kg)	60

Dimension



Top View

Scale 1:25



Side View

Scale 1:25