

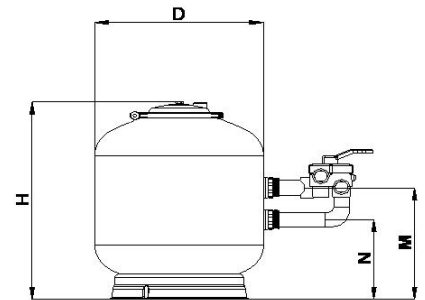
BWS

Bobbin Side Mount Sand Filter.
Aesthetic, Durable, Reliable and Easy to Operate.

BWS sand filters have been produced for more than five years and they are well recognized by its strength and reliability.

The filter tank is made of an inner fibreglass bladder to resist implosion and high pressure capability with a gel coat layer to avoid capillarity which is then continuously wound with fibreglass strands to create a high strength vessel. This process is recognised as one of the strongest methods of manufacturing a non corrosive high strength filter tank. All components are injection moulded from high strength engineering plastics.

- Available from 400mm/16" up to 900mm/36"
- Inner component materials are made of last generation plastic resins.
- The cover is fixed with a clamp system that is easy to remove and quickly locks in place.
- The maximum working pressure is 2,5Kg/cm².
- BWS sand filters go together with valve for models using 1,5" and 2" connections.



Logistics information

BWS Bobbin Wound Side Mount Sand Filter (Only Tank)					
CODE	Packaging Box Size (cm)			Volume	Net Weight
	a	b	c	m ³	Kg
30101	54	54	74	0,22	12,0
30102	54	54	74	0,22	14,5
30103	54	54	74	0,22	15,5
30104	65	65	83	0,35	18,5
30105	73	73	83	0,44	20,6
30106	84	84	96	0,68	20,6
30107	84	84	96	0,68	23,8
30108	94	94	102	0,90	28,6
Side Mount Multiport Valve					
Model	Packaging Box Size (cm)			Volume	
	a	b	c	m ³	
1,5"	60	40	33	0,08	
2"	73	55	33	0,13	

Dimensions & Specifications

CODE	30101	30102	30103	30104	30105	30106	30107	30108
ø Filter D mm	400	460	500	600	700	700	800	900
H mm	635	590	710	730	855	855	965	1030
M mm	360	418	460	488	515	515	600	675
N mm	235	282	335	352	285	285	370	405
Connections	1.5"	1.5"	1.5"	1.5"	1.5"	2"	2"	2"
Flow rate m ³ /h at 50 m ³ /h/m ²	6	8	10	14	18	21	24	24
Pool (volume) m ³ (8 hours)	48	64	80	112	144	168	192	192
Sand Kg	50	75	100	150	200	200	330	410
Max working pressure Kg/cm ²	3	3	3	2,5	2,5	2,5	2,5	2,5
Net weight Kg	12	15	16	18,5	20,6	20,6	23,8	28,6

▪We reserve the right to change all or part of the features of the articles or contents of this document, without prior notice.