

Ladders

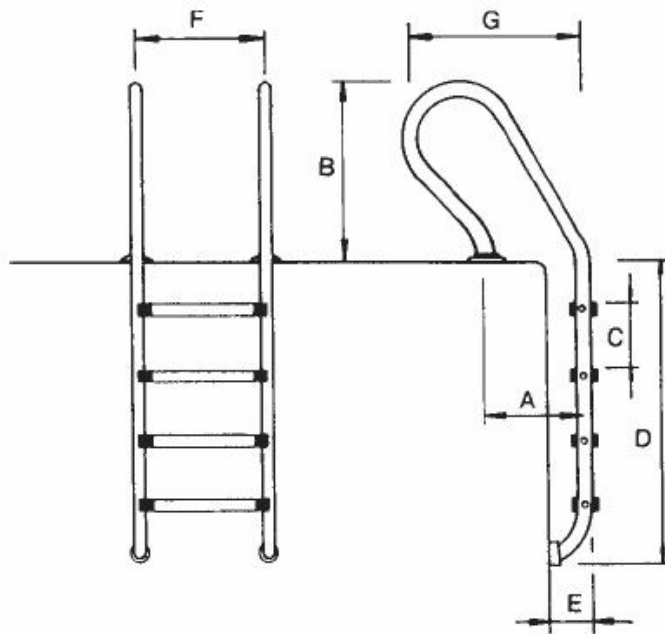
SS304 Handrail ladders. Strong, Durable and Reliable.

All ladders are manufactured of stainless steel tube with diameter 43 mm, width 500 mm, in a shiny polished finish.

The stainless steel steps are wide (500 mm), safe and convenient to use. The safety design guards against slippage or cuts. Each ladder style can be supplied with 2,3,4 or 5 steps.

Comes with plastic stoppers that rest against the pool wall and protect it from damage, as well as with an anchor point, for a grounding connection.

Mix handrail ladders



Dimensions & Specifications

CODES	Steps	Steps Mat.	A mm	B mm	C mm	D mm	E mm	F mm
01010301	2	SS	350	620	250	710	180	500
01010302	3	SS	350	620	250	960	180	500
01010303	4	SS	350	620	250	1210	180	500
01010304	5	SS	350	620	250	1460	180	500
01010305	2	PLASTIC	350	620	250	710	180	500
01010306	3	PLASTIC	350	620	250	960	180	500
01010307	4	PLASTIC	350	620	250	1210	180	500
01010308	5	PLASTIC	350	620	250	1460	180	500

▪We reserve the right to change all or part of the features of the articles or contents of this document, without prior notice.