

Ladders

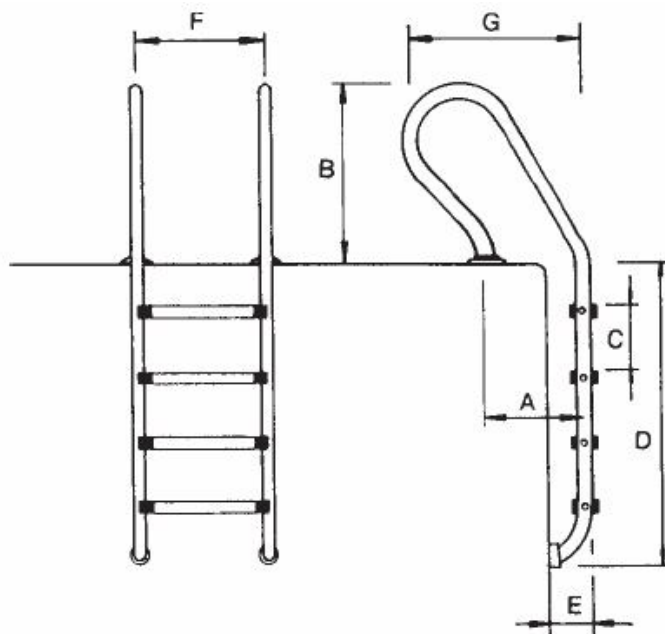
SS304 Handrail ladders. Strong, Durable and Reliable.

All ladders are manufactured of stainless steel tube with diameter 43 mm, width 500 mm, in a shiny polished finish.

The stainless steel steps are wide (500 mm), safe and convenient to use. The safety design guards against slippage or cuts. Each ladder style can be supplied with 2,3,4 or 5 steps.

Comes with plastic stoppers that rest against the pool wall and protect it from damage, as well as with an anchor point, for a grounding connection.

Mix handrail ladders



Dimensions & Specifications

| CODES | Steps | Steps Mat. | A mm | B mm | C mm | D mm | E mm | F mm |
|-------|-------|------------|------|------|------|------|------|------|
| 10301 | 2 | SS | 350 | 620 | 250 | 710 | 180 | 500 |
| 10302 | 3 | SS | 350 | 620 | 250 | 960 | 180 | 500 |
| 10303 | 4 | SS | 350 | 620 | 250 | 1210 | 180 | 500 |
| 10304 | 5 | SS | 350 | 620 | 250 | 1460 | 180 | 500 |
| 10305 | 2 | PLASTIC | 350 | 620 | 250 | 710 | 180 | 500 |
| 10306 | 3 | PLASTIC | 350 | 620 | 250 | 960 | 180 | 500 |
| 10307 | 4 | PLASTIC | 350 | 620 | 250 | 1210 | 180 | 500 |
| 10308 | 5 | PLASTIC | 350 | 620 | 250 | 1460 | 180 | 500 |

▪We reserve the right to change all or part of the features of the articles or contents of this document, without prior notice.