

## CONCRETE POOL - SKIMMER S 15 L

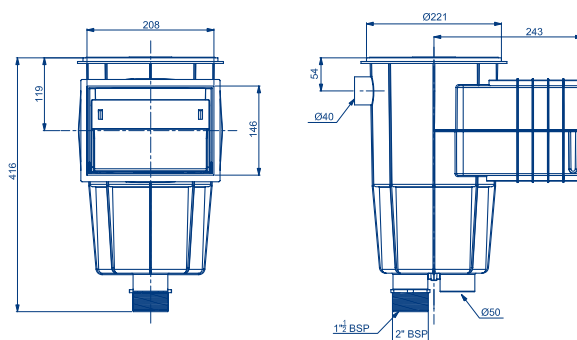
All exposed skimmer parts are UV resistant. In white ABS with silent weir flap and flow regulation plug. G 1 1/2" female - G 2" male threaded lower suction connections. Ø 50 mm solvent connection also provided. Overflow connection Ø 40 mm. Basket secured to base with bayonet fixing. Recommended flow 5 m<sup>3</sup>/h. We recommend installing one skimmer for every 25 m<sup>2</sup> of water surface area.

### Skimmer with standard mouth opening



Round lid  
Square lid

	Code	S tandard Packaging	S tandard Weight kg	S tandard Volume m <sup>3</sup>
Round lid	00249	1	2.95	0.059
Square lid	00250	1	3.15	0.059



### Skimmer with standard mouth opening, extended throat and face plate

Round lid  
Square lid

	Code	S tandard Packaging	S tandard Weight kg	S tandard Volume m <sup>3</sup>
Round lid	05281	1	5.09	0.077
Square lid	11303	1	5.75	0.060

