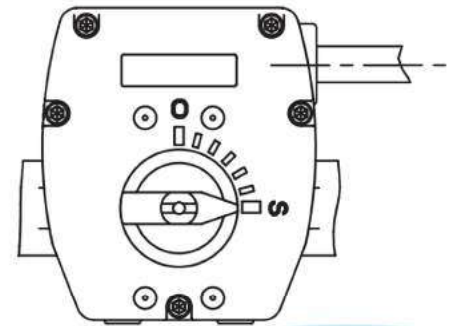
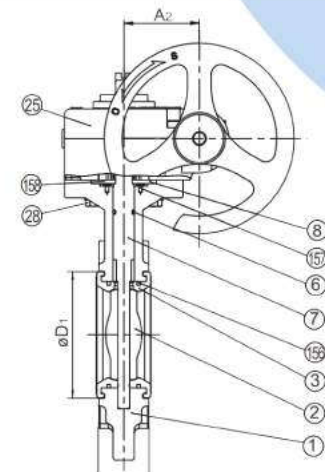
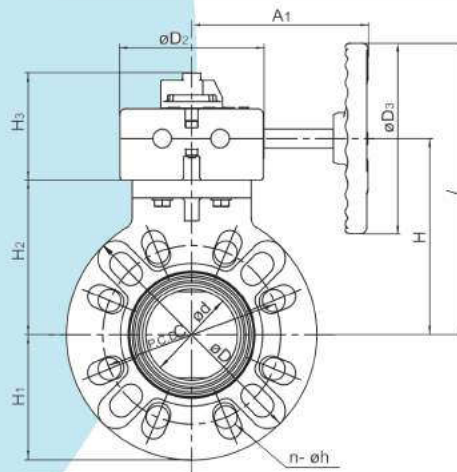


BUTTERFLY VALVES

GEAR OPERATED



Caution:

- Never remove valve from pipe-line under pressure.
- Always wear protective gloves

Nominal Size		30°	60°	90°
Inch	mm			
8	200	150	1525	2500
10	250	232	2355	3860
12	300	300	3477	5700

NO	PART	MATERIAL	Q'TY	NO	PART	MATERIAL	Q'TY
1	Body	PVC, PP, PVDF	1	25	Gear Bo	Plasgear™	1
2	Disc	PVC, CPVC, PP, PVDF	1	28	Bolt	Stainless Steel 304	4
3	Seat	EPDM, FKM, NBR	1	156	Liner Stabilization Ring	Stainless Steel SCS13	2
6	O - ring	EPDM, FKM, NBR	1	157	Screw (F)	Stainless Steel 304	4
7	Stem	Stainless Steel 316	1	158	Gasket	EPDM	1
8	Stem Retainer	PP	1				

DIMENSION DETAILS

Nominal Size		ANSI CLASS 150				ϕD	ϕD_1	ϕD_2	ϕD_3	L	H	H1	H2	H3	I	A1	A2	Wheel cycles
Inch	mm	d	C	n	h													
8	200	7.68	11.75	8	0.88	13.39	9.53	4.8	6.3	3.43	9.49	6.69	8.11	3.54	12.64	6.57	2.52	9.5
10	250	9.84	14.25	12	1	16.57	11.89	4.8	6.3	4.33	10.87	8.31	9.49	3.62	14.02	6.57	2.52	9.5
12	300	11.93	17	12	1	19.21	14.17	7.4	11.81	5.08	13.39	9.61	11.73	4.25	19.29	10.71	3.9	9.5
14	350	13.82	18.75	12	1.12	21.22	15.47	7.4	11.81	5.08	14.45	10.63	12.8	4.25	20.35	10.71	3.9	9.5