

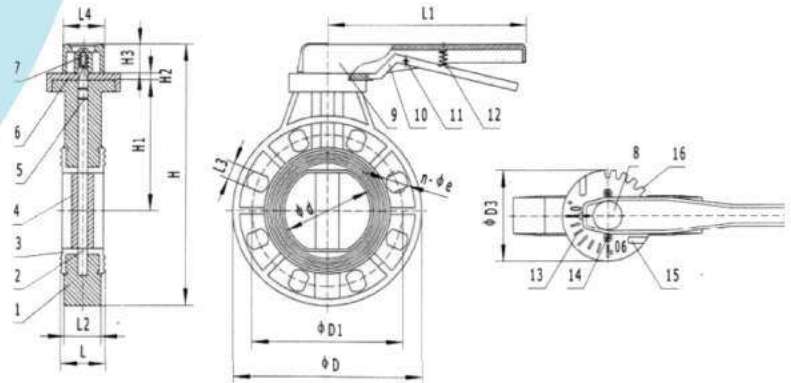
# FITTINGS

## BUTTERFLY VALVES

### LEVER HANDLE TYPE



- Working Pressure: 150 PSI
- DIN/ANSI/JIS
- Low Torque
- Full Port Design
- OEM work



NO	PART	MATERIAL	Q'TY	NO	PART	MATERIAL	Q'TY
1	Body	UPVC ABS FRPP	1	9	Handle	ABS	1
2	Stem	STEEL SS304 316	1	10	Lever	ABS	1
3	Seal	EPDM NBR	1	11	Insert Pin	STEEL	1
4	Disc	UPVC ABS FRPP	1	12	Spring	SS304	1
5	O - ring	EPDM	2	13	Scale		
6	Indicator	ABS	1	14	Screw	STEEL	4
7	Bolts	SS304	1	15	Position Limit		
8	Brand cap	ABS	1	16	Position Block		

### DIMENSION DETAILS

MODEL	$\phi D$	$\phi d$	$\phi D3$	L1	L	H	DIN $\phi D1$	ANSI $\phi D1$	n- $\phi e$	Pressure (PSI)	Weight (kg)
DN50-2"	160	50	120	195	43	225	125	121	4-24	150	1.15
DN65-2 1/2"	180	65	120	195	46	248	145	140	4-24	150	1.25
DN80-3"	196	80	120	240	49	280	160	152	8-24	150	1.75
DN100-4"	228	100	120	240	56	320	180	191	8-26	150	2.3
DN125-5"	258	125	160	310	64	370	210	216	8-27	150	4.2
DN150-6"	287	150	160	310	70	400	240	241	8-27	150	4.85
DN200-8"	345	200	160	310	88	470	295	298	8-28	100	7.8