

# POOL PUMPS

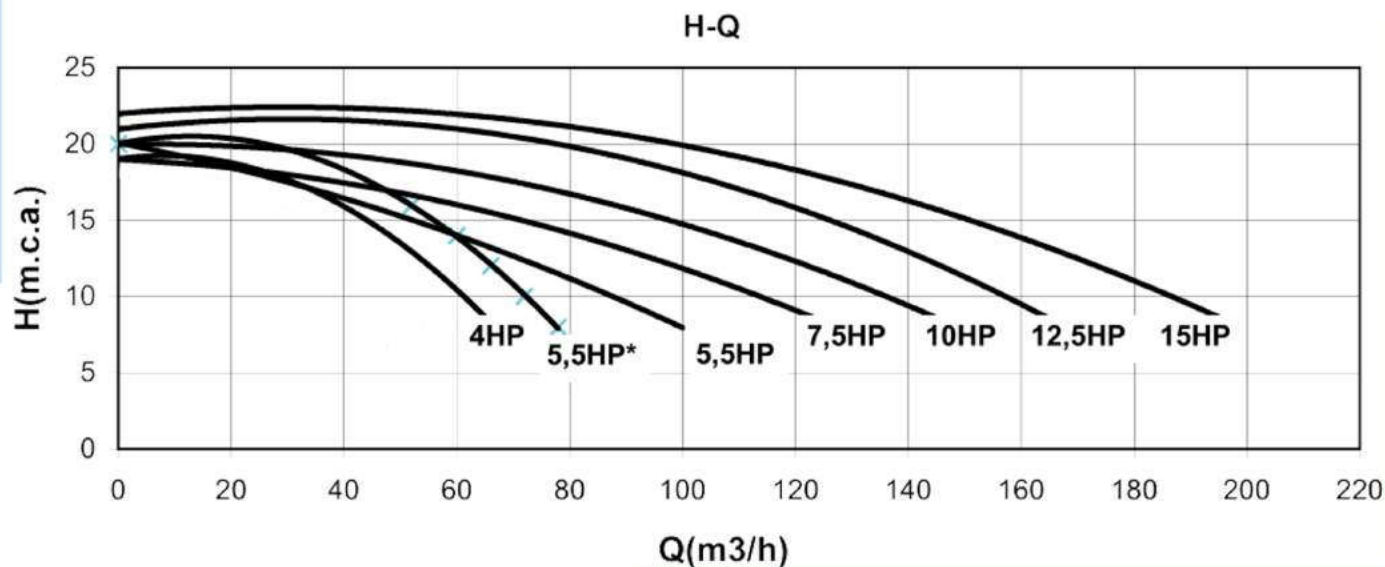
## 07 OLYMPIA SERIES

### CAST IRON PUMPS

- Brospools' line of cast iron Olympia pump is designed for use in public pools as well as other installations dedicated to the supply, distribution and circulation of clean water
- Our cast iron pumps are designed to provide optimum performance levels, handling flows of up to 190 m<sup>3</sup>/h at 10 M.W.H.
- Olympia 3000 R.P.M. centrifugal pump with built-in volute and pre-filter.
- Outlets include flange connections in accordance with DIN-2501 PN16 standard.
- Suction/discharge connections from DN80-3" to DN 125-5".
- The motor complies with IP-54 protection standards and Class F insulation.
- AISI-316 stainless steel shaft and spring-loaded mechanical seal.
- AISI-304 stainless steel pre-filter strainer basket.



### CURVES

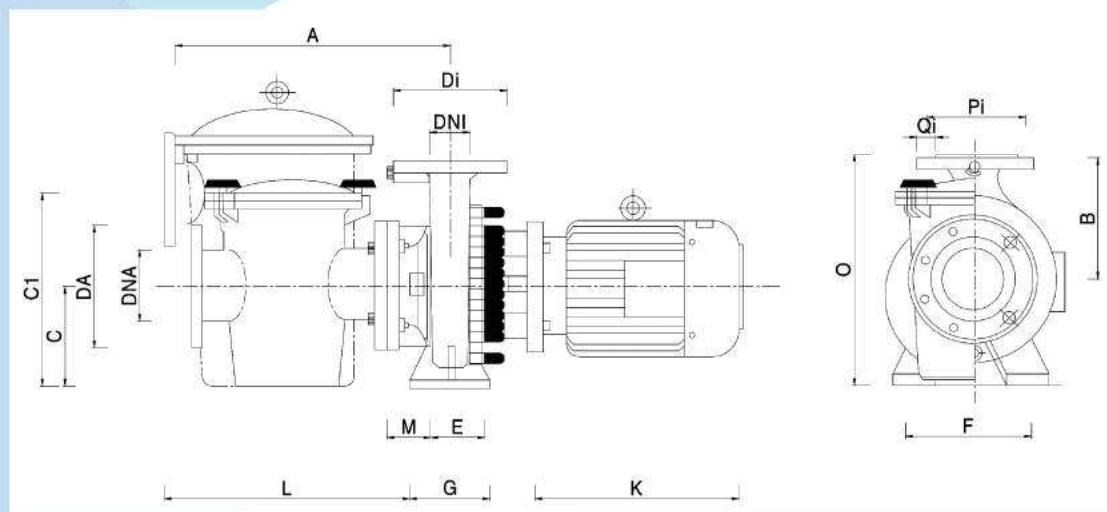


# POOL PUMPS

## 07 OLYMPIA SERIES

### CHARACTERISTICS AND DIMENSIONS

MODEL	Power (kW)	Voltage (V)	Impeller	Hz	Rpm	Da	Di	DNA	DNI
07040	4	230/400	Cast Iron	50	3000	200	200	80 - 3"	81 - 3"
07055A	5.5	230/400	Cast Iron	50	3000	200	200	81 - 3"	82 - 3"
07055B	5.5	230/400	Bronze	50	3000	200	200	82 - 3"	83 - 3"
07075A	7.5	230/400	Cast Iron	50	3000	220	220	100 - 4"	100 - 4"
07075B	7.5	230/400	Bronze	50	3000	220	220	100 - 4"	100 - 4"
07100A	10	230/400	Cast Iron	50	3000	220	220	100 - 4"	100 - 4"
07100B	10	230/400	Bronze	50	3000	220	220	100 - 4"	100 - 4"
07125A	12.5	230/400	Cast Iron	50	3000	220	220	100 - 4"	100 - 4"
07125B	12.5	230/400	Bronze	50	3000	220	220	100 - 4"	100 - 4"
07150A	15	230/400	Cast Iron	50	3000	250	250	125 - 5"	125 - 5"
07150B	15	230/400	Bronze	50	3000	250	250	125 - 5"	125 - 5"



MODEL	A	B	C	E	F	G	J	K	L	M	O	Pi
07040	485	180	160	70	212	100	435	245	888	65	340	160
07055A	485	180	160	70	212	100	435	245	888	65	340	160
07055B	485	180	160	70	212	100	435	245	888	65	340	160
07075A	487	205	160	95	187	125	425	315	976	55	365	180
07075B	487	205	160	95	187	125	425	315	976	55	365	180
07100A	487	205	160	95	187	125	425	315	976	55	365	180
07100B	487	205	160	95	187	125	425	315	976	55	365	180
07125A	487	205	160	95	187	125	425	355	1016	55	365	210
07125B	487	205	160	95	187	125	425	355	1016	55	365	210
07150A	517	233	181	95	187	125	425	355	1029	70	365	210
07150B	517	233	181	95	187	125	425	355	1029	70	365	210